

ALL Welding
Star Trading
GAS PRODUCTS



Local suppliers for wide range of products and services to all kind industrial sector in Malaysia

36, Jalan Utama 2/12, Taman Perindustrian Puchong Utama, 47100 Puchong, Selangor
Phone: +603 5886 5535 (Office) | Email: allwedstar@gmail.com

ALL Welding Star Trading



A little bit about us...

ALL WELDING STAR TRADING is a local suppliers for wide range products and services to all kind industrial sector such as, automotive, heavy duty industry, shipment, trucks, plane, aluminium, metal, solar industries and others. We apply our expertise for our customers and help them to make their business work safer, more reliable and efficient.

CONTENT

| | |
|---|-----------|
| R12B HIGH PURITY, LOW FLOW REGULATOR | 4 |
| R12SL HIGH PURITY, LOW FLOW REGULATOR | 6 |
| R17B HIGH PURITY, HIGH FLOW REGULATOR | 8 |
| R21B HIGH PURITY, LOW FLOW REGULATOR | 10 |
| R21SL HIGH PURITY, LOW FLOW REGULATOR | 12 |
| R31B HIGH PURITY, LOW FLOW REGULATOR | 14 |
| R31SL HIGH PURITY, LOW FLOW REGULATOR | 16 |
| R42SL HIGH PURITY, HIGH PRESSURE HIGH FLOW REGULATOR | 18 |
| R44SL HIGH PURITY, HIGH PRESSURE LOW FLOW REGULATOR | 20 |
| R51SL CORROSION RESISTANT, LOW FLOW REGULATOR | 22 |
| P3200 SERIES SPECIALTY GAS MANIFOLDS | 24 |
| ACCESSORIES | 25 |





R12BGK-DIK-52-71

Gentec[®] R12B Series Low Flow Regulator is a Diaphragm-Sensed Single-Stage High Purity Regulator.

PRODUCT FEATURES

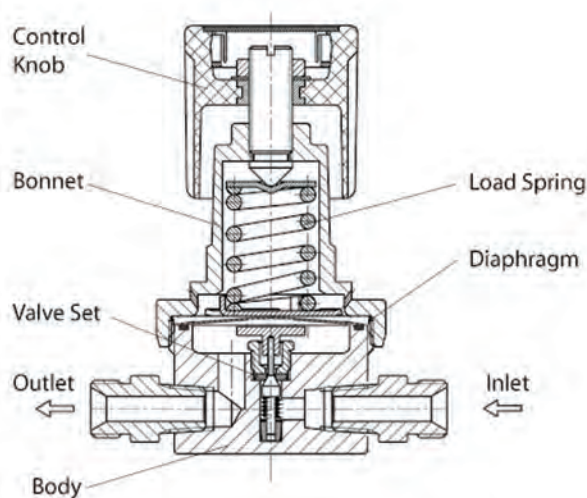
- Single-Stage Configuration
- Metal-to-Metal Seal
- Inlet & Outlet Port Size: 1/4" NPT(F)
- 2" Pressure Gauge

MATERIALS

- Body: Nickel-Plated Brass Barstock
- Seat: PCTFE, PTFE
- Diaphragm: 316L Stainless Steel
- Stem: 316L Stainless Steel
- Spring: 316L Stainless Steel

APPLICATIONS

- Gas Chromatography
- Gas Manifold Systems
- Research Laboratories
- Process Analyzer
- Petrochemical Industry
- Semi-conductor Industry



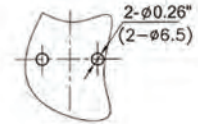
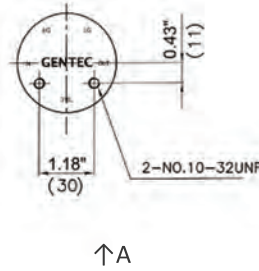
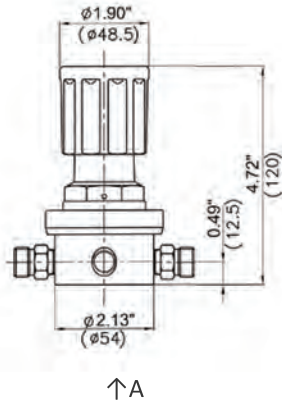
SPECIFICATIONS

- Maximum inlet pressure: 3000 psi (206 bar)
- Maximum outlet pressure: 250 psi (17 bar)
- Safety test pressure: 1.5 x Maximum inlet pressure
- Temperature range: -20 to 150°F (-29 to 66°C)
- Inboard leakage: 2×10^{-8} atm.cc/sec He
- Outboard leakage: 2×10^{-8} atm.cc/sec He
- Maximum Cv: 0.15
- Weight: 3.3 lb (1.5 kg)

R12B SERIES

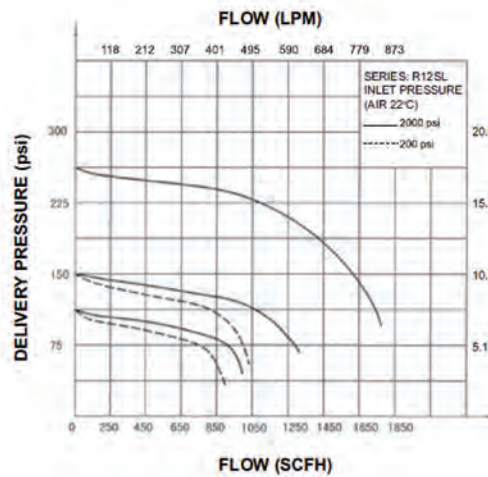
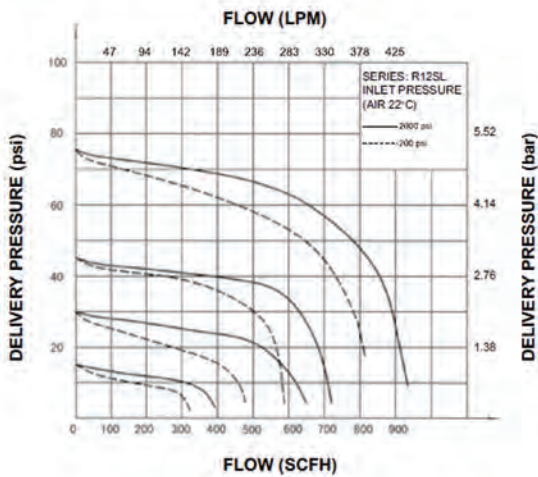
HIGH PURITY LOW FLOW REGULATOR

DIMENSIONS

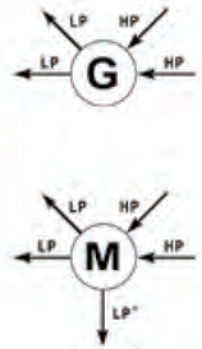


Rear Bracket Mount

FLOW DATA



BODY PORT



ORDERING INFORMATION

| EX:R12B | M | K- | D | Q | P- | 00- | 00- | R |
|---------|------------|---------------------|---|---|---|--|--|---|
| Series | Body Ports | Seat | Inlet Pressure Range | Outlet Pressure Range | Gauge | Inlet Connections | Outlet Connections | Options |
| • R12B | G M | K: PCTFE T: PTFE | D: 3000 psi (206 bar) E: 1500 psi (103 bar) F: 500 psi (35 bar) | G: 0-250 psi (17 bar) I: 0-100 psi (7 bar) K: 0-50 psi (3 bar) L: 0-25 psi (1.5 bar) M: 0-15 psi (1 bar) Q: 30" Hg Vac-30 psi (2 bar) S: 30" Hg Vac-100 psi (7 bar) T: 30" Hg Vac-200 psi (14 bar) | P: psi / bar K: psi / kPa W: No Gauge | 00: 1/4" NPT(F) C346: CGA346 C320: CGA320 C350: CGA350 C510: CGA510 C540: CGA540 C580: CGA580 C590: CGA590 C326: CGA326 DN05: DIN477 No.5 BS02: BS341 No.2 Other connections available* | 00: 1/4" NPT(F) 01: 1/4" NPT(M) 10: 1/8" GENLOK 11: 1/4" GENLOK 12: 3/8" GENLOK 15: 6 mm GENLOK 16: 8 mm GENLOK 14B: 1/4" Hose Barb Other connections available* | Blank: None D: Diaphragm Valve N: Needle Valve R: Relief Valve |

Gentec[®] R12SL Series Stainless Steel Regulator is a Diaphragm-Sensed Single-Stage High Purity Regulator.



R12SLMK-DLP-C540-71

PRODUCT FEATURES

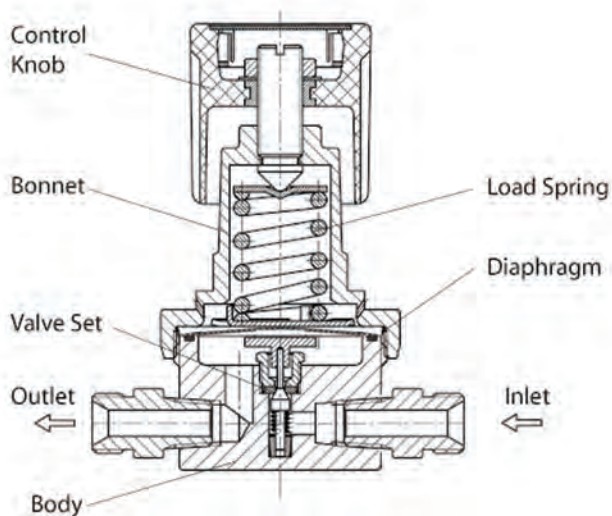
- Single-Stage Configuration
- Metal-to-Metal Seal
- Inlet & Outlet Port Size: 1/4" NPT(F)
- 2" Pressure Gauge

MATERIALS

- Body 316L Stainless Steel
- Seat PCTFE, PTFE
- Diaphragm 316L Stainless Steel
- Stem 316L Stainless Steel
- Spring 316L Stainless Steel

APPLICATIONS

- Gas Chromatography
- Gas Manifold Systems
- Research Laboratories
- Process Analyzer
- Petrochemical Industry
- Semi-conductor Industry



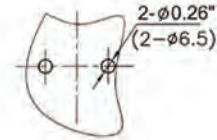
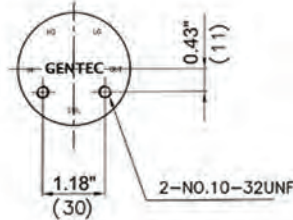
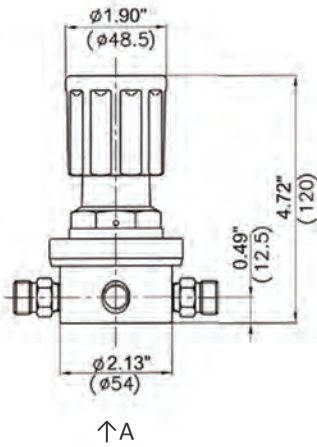
SPECIFICATIONS

- Maximum inlet pressure: 3000 psi (206 bar)
- Maximum outlet pressure: 250 psi (17 bar)
- Safety test pressure: 1.5 x Maximum inlet pressure
- Temperature range: -20 to 150°F (-29 to 66°C)
- Inboard leakage: 2×10^{-8} atm.cc/sec He
- Outboard leakage: 2×10^{-8} atm.cc/sec He
- Maximum Cv: 0.15
- Weight: 3.3 lb (1.5 kg)

R12SL SERIES

HIGH PURITY LOW FLOW REGULATOR

DIMENSIONS

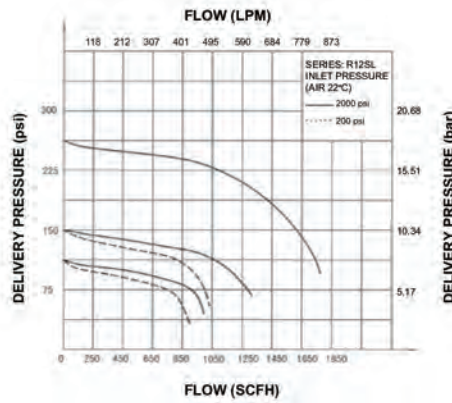
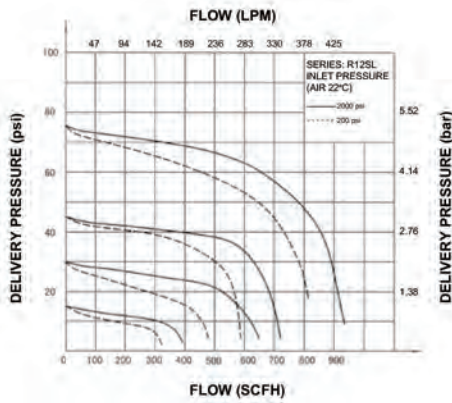


Rear Bracket Mount

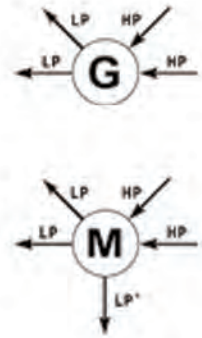
↑A

↑A

FLOW DATA



BODY PORT



ORDERING INFORMATION

| EX:R12SL | M | K- | D | Q | G- | 00- | 00- | R |
|----------|------------|---------------------|---|---|---|--|--|---|
| Series | Body Ports | Seat | Inlet Pressure Range | Outlet Pressure Range | Gauge | Inlet Connections | Outlet Connections | Options |
| • R12SL | G M | K: PCTFE T: PTFE | D: 3000 psi (206 bar) E: 1500 psi (103 bar) F: 500 psi (35 bar) | G: 0-250 psi (17 bar) I: 0-100 psi (7 bar) K: 0-50 psi (3 bar) L: 0-25 psi (1.5 bar) M: 0-15 psi (1 bar) Q: 30" Hg Vac-30 psi (2 bar) S: 30" Hg Vac-100 psi (7 bar) T: 30" Hg Vac-200 psi (14 bar) | P: psi / bar K: psi / kPa W: No Gauge | 00: 1/4" NPT(F) C346: CGA346 C320: CGA320 C350: CGA350 C510: CGA510 C540: CGA540 C580: CGA580 C590: CGA590 C326: CGA326 DN05: DIN477 No.5 BS02: BS341 No.2 Other connections available* | 00: 1/4" NPT(F) 01: 1/4" NPT(M) 10: 1/8" GENLOK 11: 1/4" GENLOK 12: 3/8" GENLOK 15: 6 mm GENLOK 16: 8 mm GENLOK 14B: 1/4" Hose Barb Other connections available* | Blank: None D: Diaphragm Valve N: Needle Valve R: Relief Valve |



R17BJB-FGK-08-08

GENTEC[®] R17B Series Stainless Steel Regulator is a Diaphragm-Sensed Single-Stage High Flow Regulator.

PRODUCT FEATURES

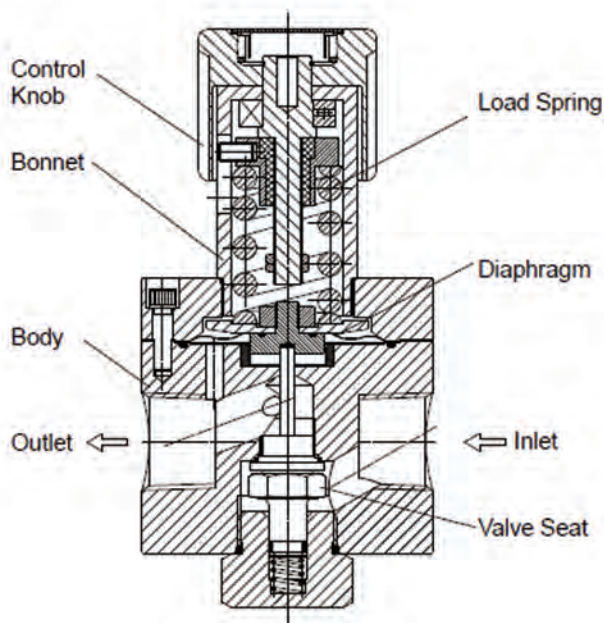
- Single-Stage Configuration
- Inlet & Outlet Port Size: 1" NPT(F)
- 2" Pressure Gauge

MATERIALS

- Body Nickel-Plated Brass Barstock
- Seat PU, NBR
- Diaphragm 316L Stainless Steel, PTFE
- Stem 316L Stainless Steel
- Spring 316L Stainless Steel

APPLICATIONS

- Petrochemical
- Power plant equipment
- Low pressure tank
- Heat treatment equipment



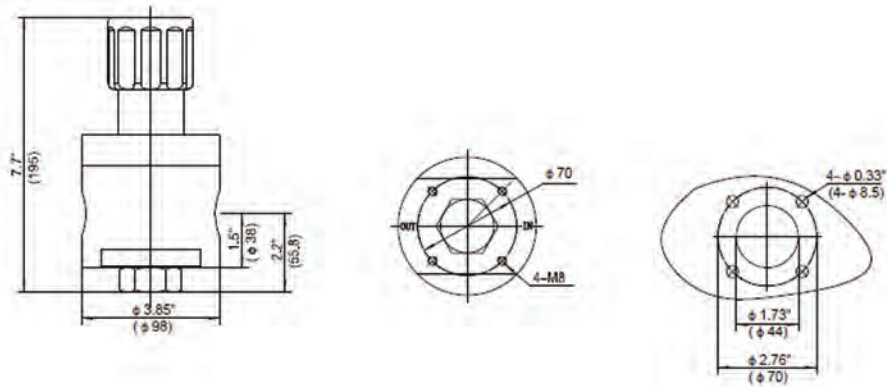
SPECIFICATIONS

- Maximum inlet pressure:
 - PU Seat: 3000 psi (206 bar)
 - NBR Seat: 500 psi (34 bar)
- Maximum outlet pressure:
 - 316L Diaphragm: 250 psi (17 bar)
 - PTFE Diaphragm: 50 psi (3.4 bar)
- Safety test pressure: 1.5 x Maximum inlet pressure
- Temperature range: -10 to 250°F (-23 to 121°C)
- Inboard leakage: 2×10^{-8} atm.cc/sec He
- Outboard leakage: 2×10^{-9} atm.cc/sec He
- Maximum Cv: 5.2
- Weight: 13.23 lb (6 kg)

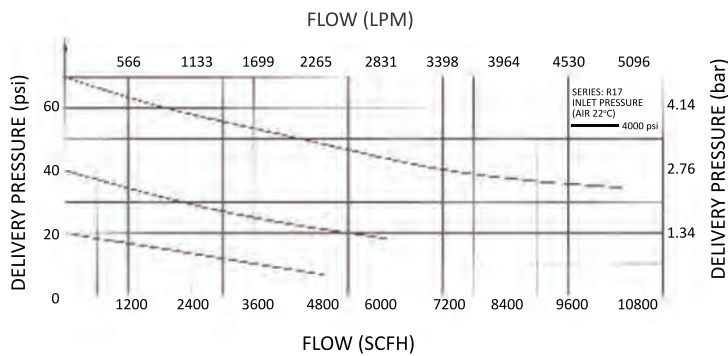
R17B SERIES

HIGH PURITY HIGH FLOW REGULATOR

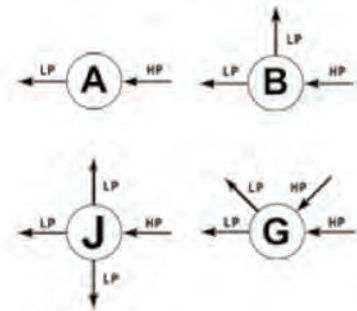
DIMENSIONS



FLOW DATA



BODY PORT



ORDERING INFORMATION

| EX:R17B | J | B- | F | K | P- | 08 - | 08 |
|---------|------------------|-----------------|--|--|---|---|---|
| Series | Body Ports | Seat | Inlet Pressure Range | Outlet Pressure Range | Gauge | Inlet Connections | Outlet Connections |
| • R17B | A B G J | P: PU B: NBR | D: 3000 psi (206 bar) F: 500 psi (35 bar) | 316L Diaphragm G: 0-250 psi (17 bar) H: 0-150 psi (10 bar) I: 0-100 psi (7 bar) PTFE Diaphragm J: 0-75 psi (5 bar) K: 0-50 psi (3 bar) L: 0-25 psi (1.7 bar) M: 0-15 psi (1 bar) N: 0-6 psi (0.4 bar) | P: psi / bar K: psi / kPa W: No Gauge | 08: 1" NPT(F) Other connections available* | 08: 1" NPT(F) Other connections available* |



R21BMK-DIK-C590-11-D

Gentec® R21B Series Brass Regulator is a Diaphragm-Sensed Single-Stage High Purity Regulator designed for use with analytical applications using non-corrosive gases.

PRODUCT FEATURES

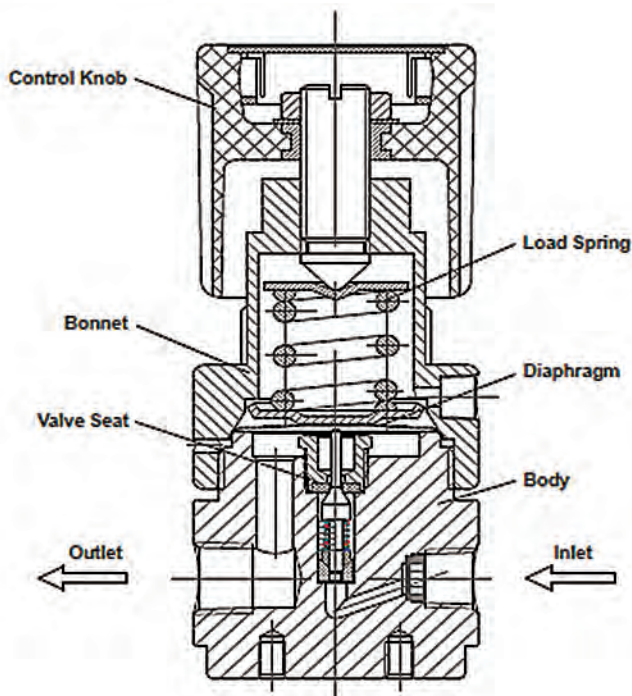
- Single-Stage Configuration
- Metal-to-Metal Seal
- Inlet & Outlet Port Size: 1/4" NPT(F)
- 2" Pressure Gauge

MATERIALS

- Body Nickel-Plated Brass Barstock
- Bonnet Nickel-Plated Brass Barstock
- Seat PCTFE
- Diaphragm 316L Stainless Steel
- Adjusting Knob ABS Plastic

APPLICATIONS

- Semiconductor Industry
- Research Laboratories
- Process Analyzer
- Gas Chromatography
- Petrochemical Industry
- Power Plants



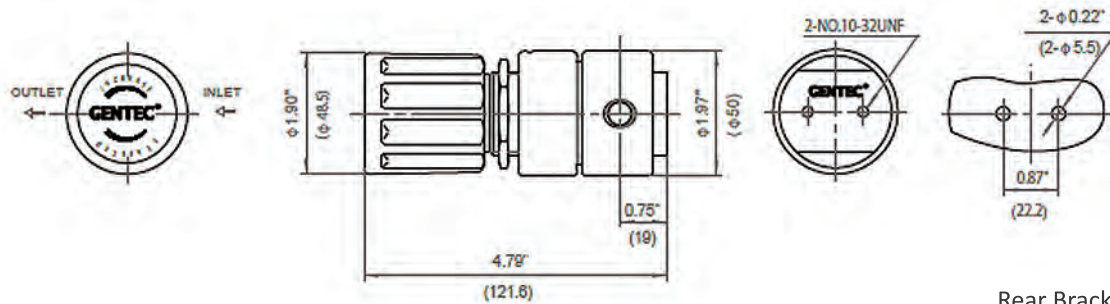
SPECIFICATIONS

- Maximum inlet pressure: 4500 psi (310 bar)
- Maximum outlet pressure: 500 psi (35 bar)
- Safety test pressure: 1.5 x Maximum inlet pressure
- Temperature range: -40 to 165°F (-40 to 74°C)
- Inboard leakage: 2×10^{-8} atm.cc/sec He
- Outboard leakage: 2×10^{-8} atm.cc/sec He
- Maximum Cv: 0.14
- Weight: 2.2 lb (0.82 kg)

R21B SERIES

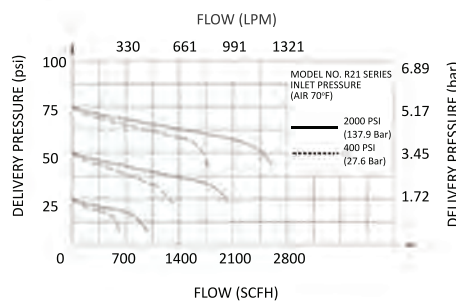
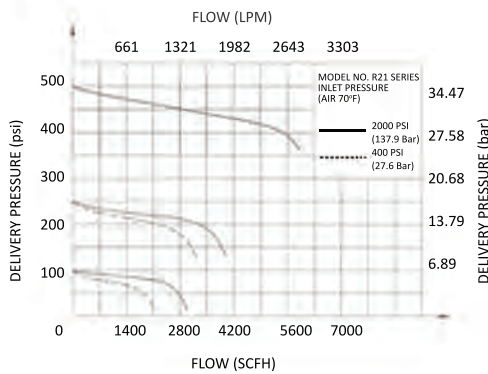
HIGH PURITY LOW FLOW REGULATOR

DIMENSIONS

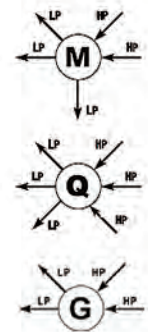


Rear Bracket Mount

FLOW DATA



BODY PORTS



ORDERING INFORMATION

| EX:R21B | M | K- | D | I | K- | C590- | 11- | D |
|---------|-------------|----------|--|---|---|--|--|---|
| Series | Body Ports | Seat | Inlet Pressure Range | Outlet Pressure Range | Gauge | Inlet Connections | Outlet Connections | Options |
| • R21B | M Q G | K: PCTFE | C: 4500 psi (310 bar) D: 3000 psi (206 bar) | F: 0-500 psi (35 bar) G: 0-250 psi (17 bar) I: 0-100 psi (7 bar) K: 0-50 psi (3 bar) L: 0-25 psi (2 bar) Q: 30" Hg Vac-30 psi (2 bar) S: 30" Hg Vac-100 psi (7 bar) T: 30" Hg Vac-200 psi (14 bar) | P: psi / bar K: psi / kPa W: No Gauge | 00: 1/4" NPT(F) C346: CGA346 C320: CGA320 C350: CGA350 C510: CGA510 C540: CGA540 C580: CGA580 C590: CGA590 C326: CGA326 DN05: DIN477 No.5 BS02: BS341 No.2 Other connections available* | 00: 1/4" NPT(F) 01: 1/4" NPT(M) 10: 1/8" GENLOK 11: 1/4" GENLOK 15: 6 mm GENLOK 16: 8 mm GENLOK Other connections available* | Blank: None D: Diaphragm Valve N: Needle Valve R: Relief Valve |



R21SLMK-DIK-C580-11-D

Gentec[®] R21SL Series Stainless Steel Regulator is a Diaphragm-Sensed Single-Stage High Purity Regulator.

PRODUCT FEATURES

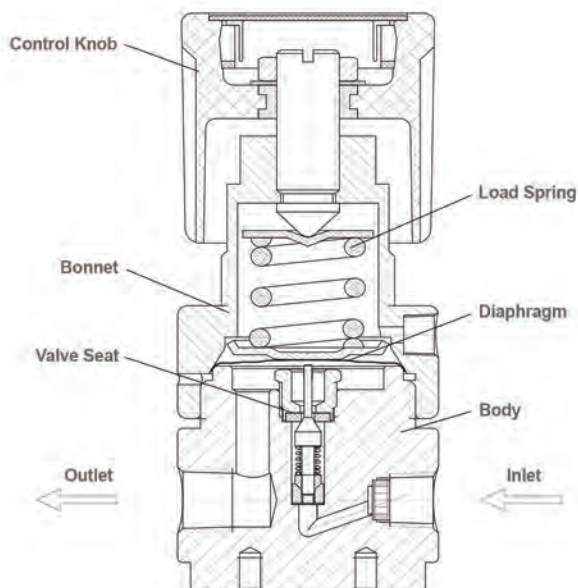
- Single-Stage Configuration
- Metal-to-Metal Seal
- Inlet & Outlet Port Size: 1/4" NPT(F)
- 2" Pressure Gauge

MATERIALS

- Body 316L Stainless Steel
- Bonnet 316 Stainless Steel
- Seat PCTFE
- Diaphragm 316L Stainless Steel
- Adjusting Knob ABS Plastic

APPLICATIONS

- Semiconductor Industry
- Research Laboratories
- Process Analyzer
- Gas Chromatography
- Petrochemical Industry
- Power Plants



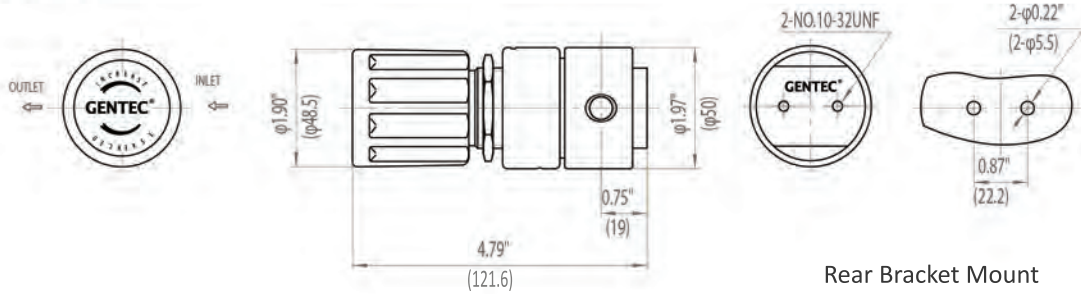
SPECIFICATIONS

- Maximum inlet pressure: 4500 psi (310 bar)
- Maximum outlet pressure: 500 psi (35 bar)
- Safety test pressure: 1.5 x Maximum inlet pressure
- Temperature range: -40 to 165°F (-40 to 74°C)
- Inboard leakage: 2×10^{-8} atm.cc/sec He
- Outboard leakage: 2×10^{-8} atm.cc/sec He
- Maximum Cv: 0.14
- Weight: 2.2 lb (0.82 kg)

R21SL SERIES

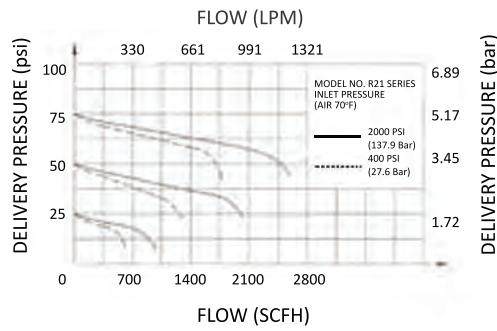
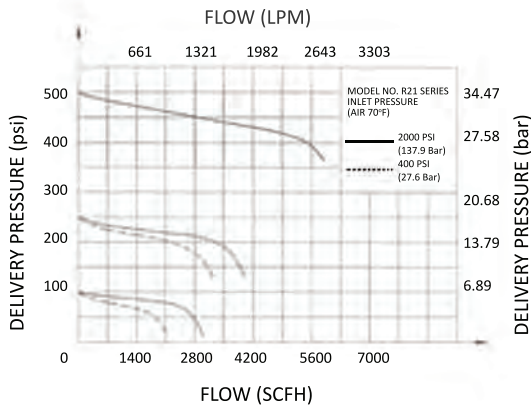
HIGH PURITY LOW FLOW REGULATOR

DIMENSIONS

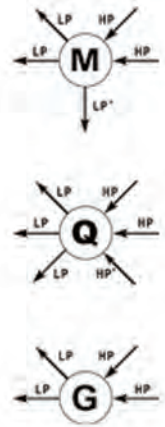


Rear Bracket Mount

FLOW DATA



BODY PORTS



ORDERING INFORMATION

| EX:R21SL | M | K- | D | I | K- | C580- | 11- | D |
|----------|-------------|----------|--|---|---|--|--|--|
| Series | Body Ports | Seat | Inlet Pressure Range | Outlet Pressure Range | Gauge | Inlet Connections | Outlet Connections | Options |
| • R21SL | M Q G | K: PCTFE | C: 4500 psi (310 bar) D: 3000 psi (206 bar) | F: 0-500 psi (35 bar) G: 0-250 psi (17 bar) I: 0-100 psi (7 bar) K: 0-50 psi (3 bar) L: 0-25 psi (1.5 bar) Q: 30" Hg Vac-30 psi (2 bar) S: 30" Hg Vac-100 psi (7 bar) T: 30" Hg Vac-200 psi (14 bar) | P: psi / bar K: psi / kPa W: No Gauge | 00: 1/4" NPT(F) C346: CGA346 C320: CGA320 C350: CGA350 C510: CGA510 C540: CGA540 C580: CGA580 C590: CGA590 C326: CGA326 DN05: DIN477 No.5 BS02: BS341 No.2 Other connections available* | 00: 1/4" NPT(F) 01: 1/4" NPT(M) 10: 1/8" GENLOK 11: 1/4" GENLOK 15: 6 mm GENLOK 16: 8 mm GENLOK Other connections available* | D: Diaphragm Valve N: Needle Valve P: Panel Mount R: Relief Valve H: Hastelloy® Diaphragm DU: Dursan 2x coating SI: Silconert coating |



R31BMK-DIK-C350-11-D

Gentec® R31B Series Brass Regulator is a Diaphragm-Sensed Dual-Stage High Purity regulator designed for analytical applications where a consistent outlet pressure and flow are desired.

PRODUCT FEATURES

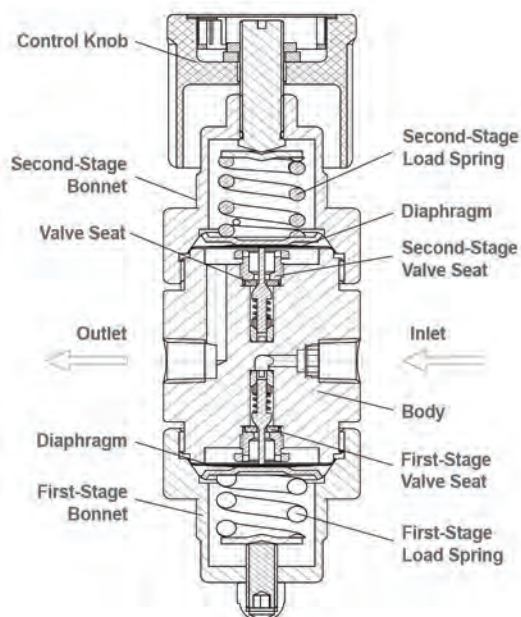
- Dual-Stage Configuration
- Metal-to-Metal Seal
- Inlet & Outlet Port Size: 1/4" NPT(F)
- 2" Pressure Gauge

MATERIALS

- Body: Nickel-Plated Brass Barstock
- Bonnet: Nickel-Plated Brass Barstock
- Seat: PCTFE
- Diaphragm: 316L
- Adjusting Knob: ABS Plastic

APPLICATIONS

- Cylinders
- Research Laboratories
- Gas Chromatography
- Process Analyzers
- Petrochemical Industry
- Power Plant



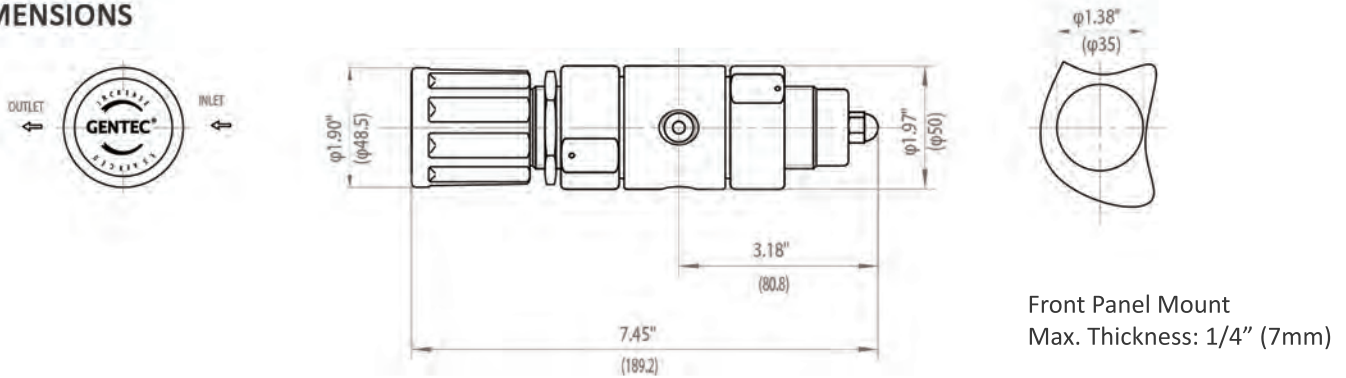
SPECIFICATIONS

- Maximum inlet pressure: 4500 psi (310 bar)
- Maximum outlet pressure: 250 psi (17 bar)
- Safety test pressure: 1.5 x Maximum inlet pressure
- Temperature range: -40 to 165°F (-40 to 74°C)
- Inboard leakage: 2×10^{-8} atm.cc/sec He
- Outboard leakage: 2×10^{-8} atm.cc/sec He
- Maximum Cv: 0.06
- Weight: 4.03 lb (1.5 kg)

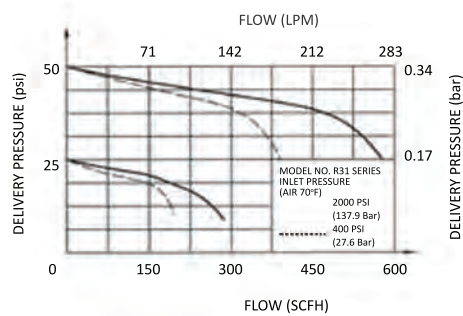
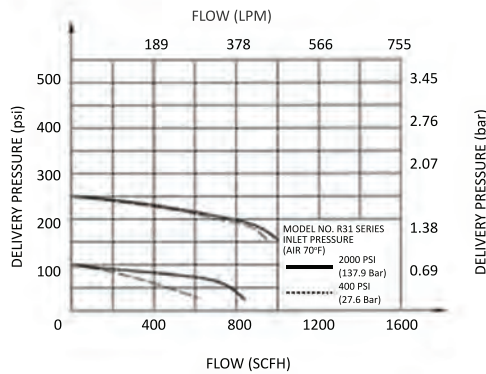
R31B SERIES

HIGH PURITY LOW FLOW REGULATOR

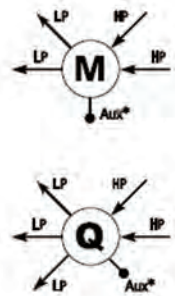
DIMENSIONS



FLOW DATA



BODY PORTS



** For R31 Series, the "Aux." port is plugged. This port can be used for purging purpose only.
 * For the "Aux." port of R31 Series, this port is plugged and cannot be used for relief valve installation.

ORDERING INFORMATION

| EX:R31B | M | K- | D | Q | K- | C350- | 11- | D |
|---------|------------|----------|--|--|---|--|--|---|
| Series | Body Ports | Seat | Inlet Pressure Range | Outlet Pressure Range | Gauge | Inlet Connections | Outlet Connections | Options |
| • R31B | M Q | K: PCTFE | C: 4500 psi (310 bar) D: 3000 psi (206 bar) | G: 0-250 psi (17 bar) I: 0-100 psi (7 bar) K: 0-50 psi (3 bar) L: 0-25 psi (2 bar) Q: 30" Hg Vac-30 psi (2 bar) S: 30" Hg Vac-100 psi (7 bar) T: 30" Hg Vac-200 psi (14 bar) | P: psi / bar K: psi / kPa W: No Gauge | 00: 1/4" NPT(F) C346: CGA346 C320: CGA320 C350: CGA350 C510: CGA510 C540: CGA540 C580: CGA580 C590: CGA590 C326: CGA326 DN05: DIN477 No.5 BS02: BS341 No.2 Other connections available* | 00: 1/4" NPT(F) 01: 1/4" NPT(M) 10: 1/8" GENLOK 11: 1/4" GENLOK 12: 3/8" GENLOK 15: 6 mm GENLOK 16: 8 mm GENLOK 14B: 1/4" Hose Barb Other connections available* | Blank: None D: Diaphragm Valve N: Needle Valve P: Panel Mount R: Relief Valve |



R31SLMK-DIK-C350-11-D

Gentec[®] R31SL Series Stainless Steel Regulator is a Diaphragm-Sensed Dual-Stage High Purity Regulator designed for applications where a consistent outlet pressure and flow are desired.

PRODUCT FEATURES

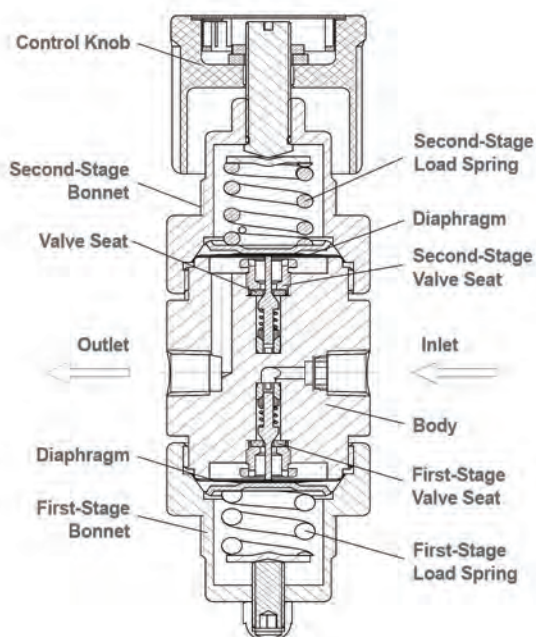
- Dual-Stage Configuration
- Metal-to-Metal Seal
- Inlet & Outlet Port Size: 1/4" NPT(F)
- 2" Pressure Gauge

MATERIALS

- Body 316 Stainless Steel
- Bonnet 316L Stainless Steel
- Seat PCTFE
- Diaphragm 316L Stainless Steel
- Adjusting Knob ABS Plastic

APPLICATIONS

- Research Laboratories
- Gas Chromatography
- Process Analyzers
- Petrochemical Industry
- Power Plant



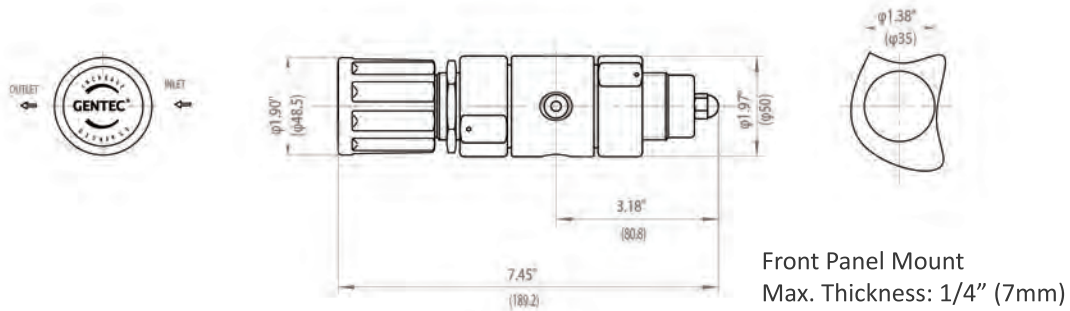
SPECIFICATIONS

- Maximum inlet pressure: 4500 psi (310 bar)
- Maximum outlet pressure: 250 psi (17 bar)
- Safety test pressure: 1.5 x Maximum inlet pressure
- Temperature range: -40 to 165°F (-40 to 74°C)
- Inboard leakage: 2×10^{-8} atm.cc/sec He
- Outboard leakage: 2×10^{-8} atm.cc/sec He
- Maximum Cv: 0.06
- Weight: 4.03 lb (1.83 kg)

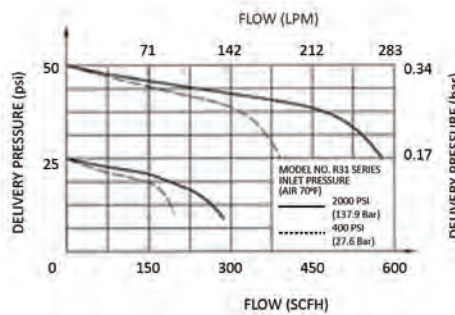
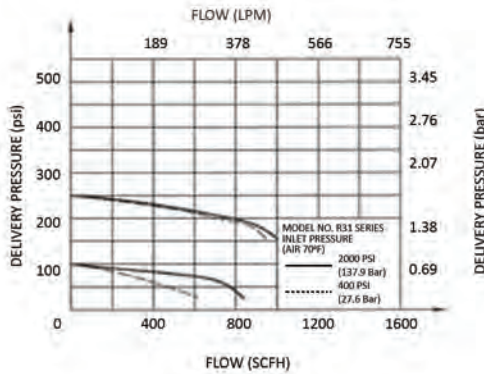
R31SL SERIES

HIGH PURITY LOW FLOW REGULATOR

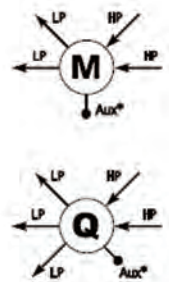
DIMENSIONS



FLOW DATA



BODY PORTS



- ** For R31 Series, the "Aux" port is plugged. This port can be used for purging purpose only.
- * For the "Aux" port of R31 Series, this port is plugged and cannot be used for relief valve installation.

ORDERING INFORMATION

| EX:R31SL | M | K- | D | I | K- | C350- | 11- | D |
|----------|------------|----------|--|--|---|--|---|--|
| Series | Body Ports | Seat | Inlet Pressure Range | Outlet Pressure Range | Gauge | Inlet Connections | Outlet Connections | Options |
| • R31SL | M Q | K: PCTFE | C: 4500 psi (310 bar) D: 3000 psi (206 bar) | G: 0-250 psi (17 bar) I: 0-100 psi (7 bar) K: 0-50 psi (3 bar) L: 0-25 psi (1.5 bar) Q: 30" Hg Vac-30 psi (2 bar) S: 30" Hg Vac-100 psi (7 bar) T: 30" Hg Vac-200 psi (14 bar) | P: psi / bar K: psi / kPa W: No Gauge | 00: 1/4" NPT(F) C330: CGA330 C350: CGA350 C580: CGA580 C660: CGA660 C590: CGA590 DN05: DIN477 No.5 BS02: BS341 No.2 Other connections available* | 00: 1/4" NPT(F) 01: 1/4" NPT(M) 10: 1/8" GENLOK 11: 1/4" GENLOK 15: 6 mm GENLOK 16: 8 mm GENLOK 14B: 1/4" Hose Barb Other connections available* | Blank: None D: Diaphragm Valve N: Needle Valve P: Panel Mount R: Relief Valve H: Hastelloy® Diaphragm DU: Dursan 2x coating SI: Siliconert coating |



R42SLBK-BDP-04-04

GENTEC® R42SL Series High Pressure Stainless Steel Regulator is a Piston-Sensed Single-Stage High Purity Regulator designed for applications where high pressure and high flow control are desired.

PRODUCT FEATURES

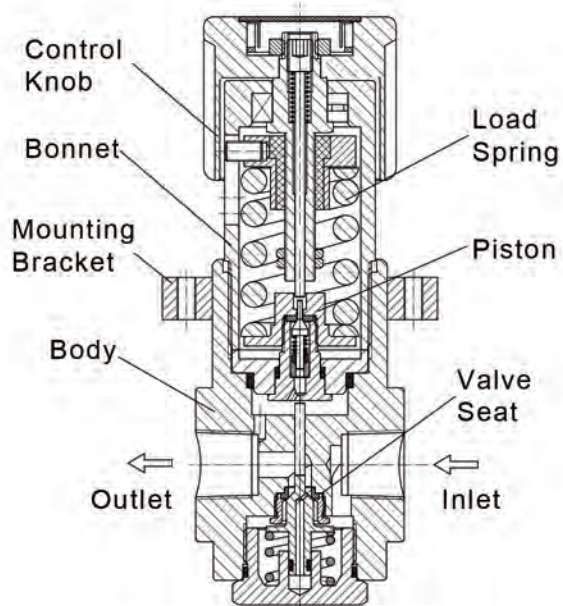
- Piston-Sensed Configuration
- Inlet & Outlet Port Size: 1/2" NPT(F)
- 2" Pressure Gauge

MATERIALS

- Body 316L Stainless Steel
- Bonnet 316L Stainless Steel
- Seat PCTFE
- Piston 316L Stainless Steel
- Adjusting Knob Aluminium Alloy

APPLICATIONS

- Gas Chromatography
- Research Laboratories
- Petrochemical Industry
- Power Plant



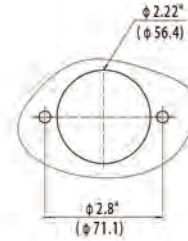
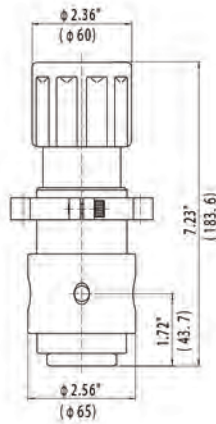
SPECIFICATIONS

- Maximum inlet pressure: 6000 psi (412 bar)
- Maximum outlet pressure: 3000 psi (206 bar)
- Safety test pressure: 1.5 x Maximum inlet pressure
- Temperature range: -40 to 165°F (-40 to 74°C)
- Inboard leakage: 2×10^{-8} atm.cc/sec He
- Outboard leakage: 2×10^{-8} atm.cc/sec He
- Maximum Cv: 1.2
- Weight: 5.5 lb (2.5 kg)

R42SL SERIES

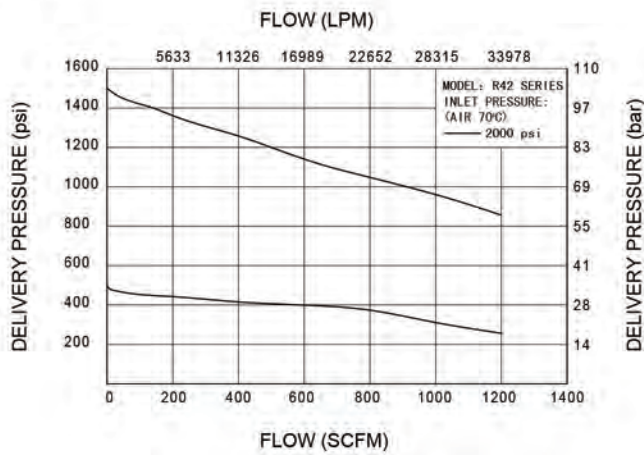
HIGH PRESSURE HIGH FLOW REGULATOR

DIMENSIONS

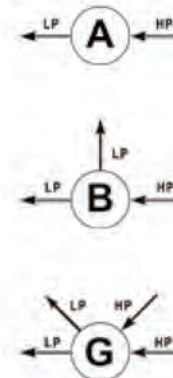


Front Panel Mount
Max. Thickness: 1/4" (7mm)

FLOW DATA



BODY PORTS



ORDERING INFORMATION

| EX: R42SL | A | K - | B | D | W - | 04 - | 04 - | V |
|-----------|-------------|----------|-----------------------|---|---|---|---|--|
| Series | Body Ports | Seat | Inlet Pressure Ranges | Outlet Pressure Ranges | Gauge | Inlet Connections | Outlet Connections | Options |
| • R42SL | A B G | K: PCTFE | B: 6000 psi (414 bar) | D: 0-3000 psi (206 bar) E: 0-1500 psi (103 bar) F: 0-500 psi (35 bar) | P: psi / bar K: psi / kPa W: No Gauge | 04: 1/2" NPT(F) Other connections available* | 04: 1/2" NPT(F) Other connections available* | Blank: None V: Self relieving (Venting) |



R44SLGK-BDP-C590-11-D

MATERIALS

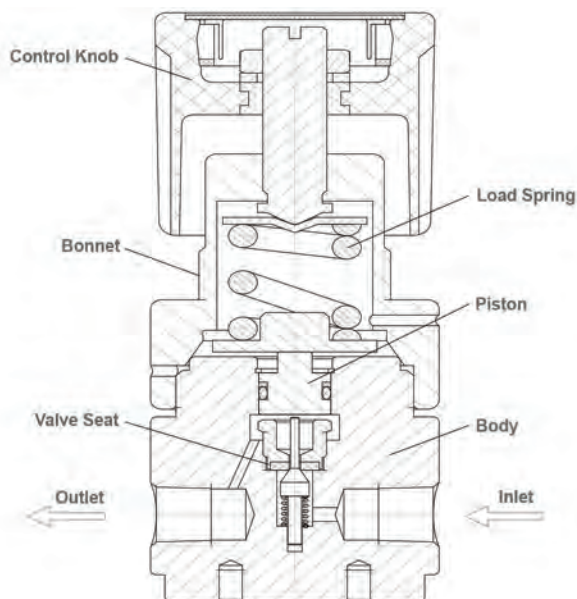
- Body 316L Stainless Steel
- Bonnet 316L Stainless Steel
- Seat PCTFE
- Diaphragm 316L Stainless Steel
- Adjusting Knob ABS Plastic

PRODUCT FEATURES

- Piston-Sensed Configuration
- Inlet & Outlet Port Size: 1/4" NPT(F)
- 2" Pressure Gauge

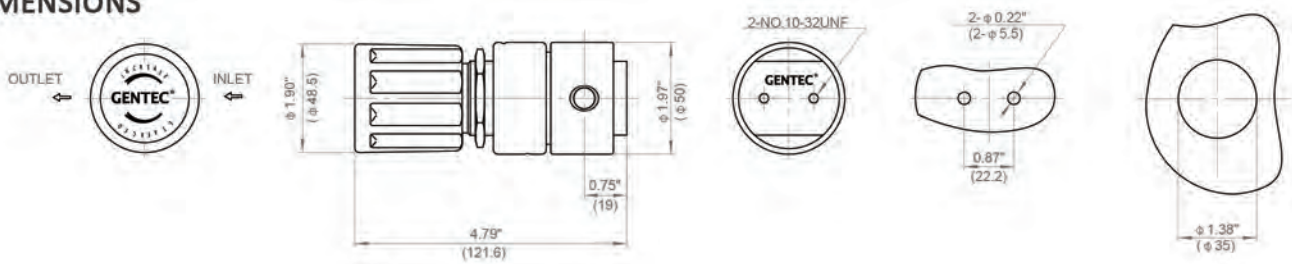
APPLICATION

- Gas Chromatography
- Research Laboratories
- Petrochemical Industry
- Power Plant

**SPECIFICATIONS**

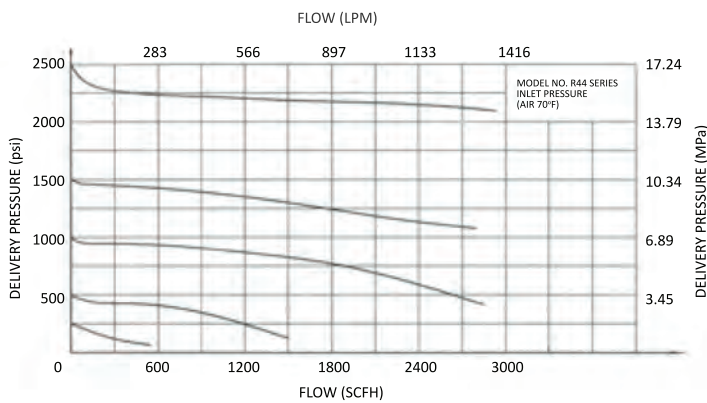
- Maximum inlet pressure: 6000 psi (412 bar)
- Maximum outlet pressure: 3000 psi (206 bar)
- Safety test pressure: 1.5 x Maximum inlet pressure
- Temperature range: -40 to 165°F (-40 to 74°C)
- Inboard leakage: 2×10^{-8} atm.cc/sec He
- Outboard leakage: 2×10^{-8} atm.cc/sec He
- Maximum Cv: 0.06
- Weight: 2.2 lb (1 kg)

DIMENSIONS

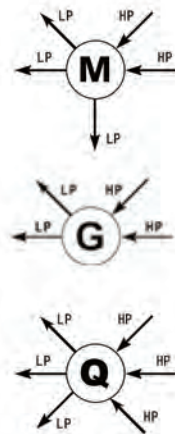


Rear Bracket Mount Front Panel Mount
Max. Thickness: 1/4" (7mm)

FLOW DATA



BODY PORT



ORDERING INFORMATION

| EX: R44SL | M | K - | B | D | K - | C690 - | 11 - | D |
|-----------|-------------|----------|---|--|---|--|---|---|
| Series | Body Ports | Seat | Inlet Pressure Ranges | Outlet Pressure Ranges | Gauge | Inlet Connections | Outlet Connections | Options |
| • R44SL | M G Q | K: PCTFE | B: 6000 psi (414 bar) C: 4500 psi (310 bar) D: 3000 psi (206 bar) | D: 0-3000 psi (206 bar) E: 0-1500 psi (103 bar) F: 0-500 psi (35 bar) G: 0-250 psi (17 bar) | P: psi / bar K: psi / kPa W: No Gauge | 00: 1/4" NPT(F) C350: CGA350 C540: CGA540 C580: CGA580 C590: CGA590 C677: CGA677 C680: CGA680 C695: CGA695 DN05: DIN477 No.5 BS02: BS341 No.2 Other connections available* | 00: 1/4" NPT(F) 01: 1/4" NPT(M) 10: 1/8" GENLOK 11: 1/4" GENLOK 15: 6 mm GENLOK 16: 8 mm GENLOK 14B: 1/4" Hose Barb Other connections available* | Blank: None D: Diaphragm Valve N: Needle Valve P: Panel Mount Some valves not available depending on delivery pressures |



R51SLGK-DIP-90-90

GENTEC® R51SL Series Corrosion-Resistant Single-Stage Regulator is diaphragm-sensed and especially designed for applications where corrosive and toxic gases are used.

PRODUCT FEATURES

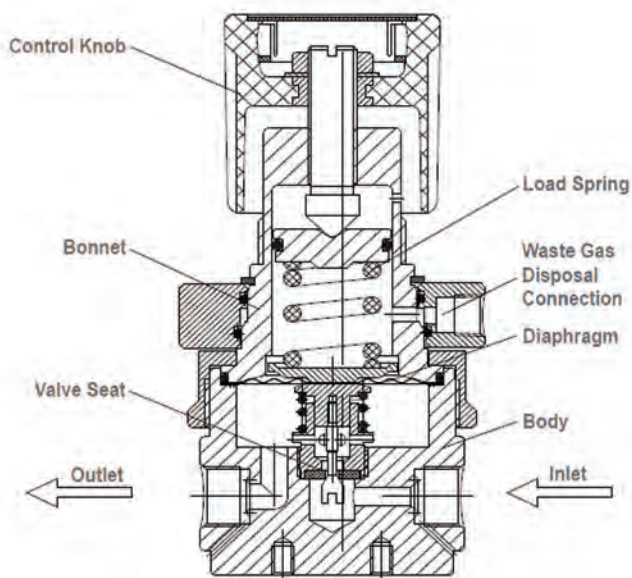
- Single-Stage Configuration
- Metal-to-Metal diaphragm to body seal & dual layer sealing ring
- Integrated waste gas disposal connection for additional safety
- Inlet & Outlet Port Size: 1/4" FSR(F)

MATERIALS

- Body 316L (EP) - Stainless Steel, Hastelloy®
- Bonnet 316L - Stainless Steel
- Seat PCTFE
- Valve Stem C22 Hastelloy®
- Diaphragm C22 Hastelloy®

APPLICATIONS

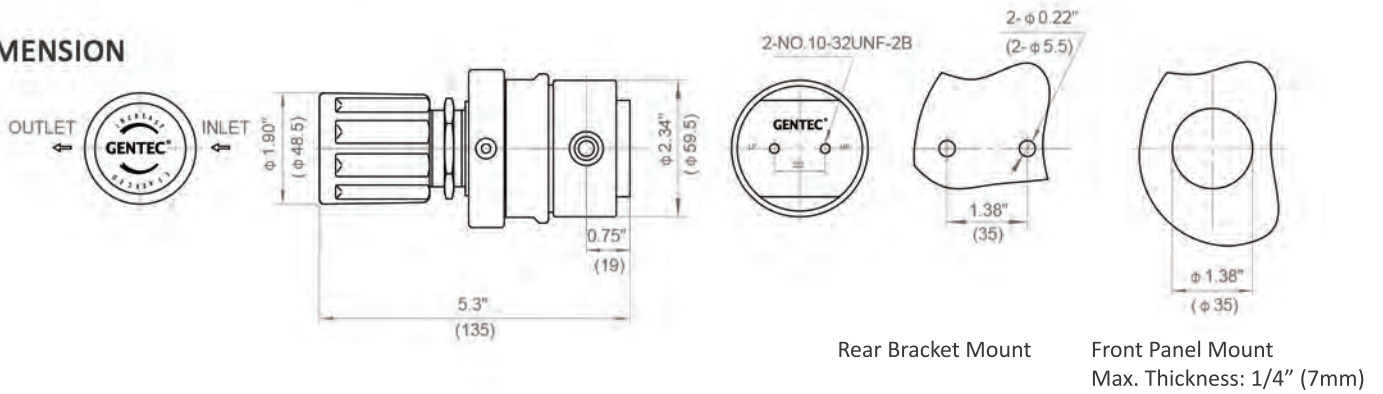
- Semiconductor Industry
- Solar Energy Industry
- Vacuum Plating Equipment
- Spec Gas Equipment



SPECIFICATIONS

- Maximum inlet pressure: 3000 psi (206 bar)
- Maximum outlet pressure: 250 psi (17 bar)
- Safety test pressure: 1.5 x Maximum inlet pressure
- Temperature range: -40 to 165°F (-40 to 74°C)
- Inboard leakage: 2×10^{-8} atm.cc/sec He
- Outboard leakage: 2×10^{-8} atm.cc/sec He
- Maximum Cv: 0.16
- Weight: 3.42 lb (1.55 kg)

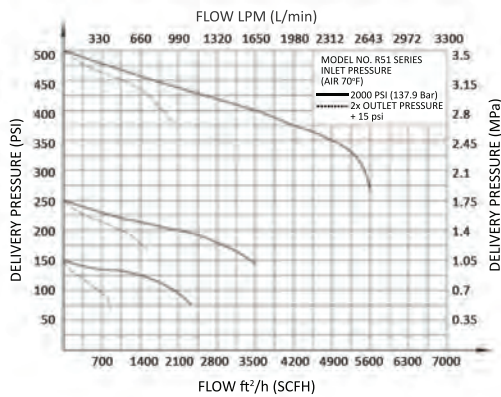
DIMENSION



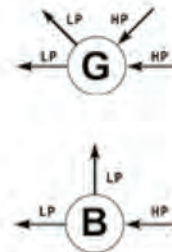
Rear Bracket Mount

Front Panel Mount
Max. Thickness: 1/4" (7mm)

FLOW DATA



BODY PORTS

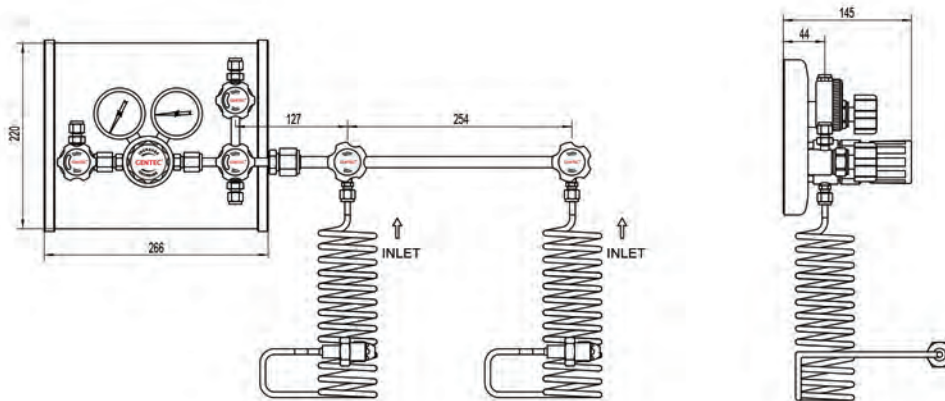


ORDERING INFORMATION

| EX:R51SL | G | K- | D | I | K- | 90- | 90 |
|--|------------|----------|-----------------------|--|---|-----------------------------|-----------------------------|
| Series | Body Ports | Seat | Inlet Pressure Range | Outlet Pressure Ranges | Gauge | Inlet Connections | Outlet Connections |
| <ul style="list-style-type: none"> R51SL R51H (Hastelloy®) | G B | K: PCTFE | D: 3000 psi (206 bar) | G: 0-250 psi (17 bar) H: 0-150 psi (10 bar) I: 0-100 psi (7 bar) K: 0-50 psi (3 bar) L: 0-25 psi (1.5 bar) | P: psi / bar K: psi / kPa W: No Gauge | 90: Internal 1/4" FSR(F) | 90: Internal 1/4" FSR(F) |



DIMENSION



ORDERING INFORMATION

| EX: P32 | 1 | 3 | S | P - | D | H | P - | | 2 | D - | N2 |
|---------|--|------------------------|--|------------------------------|--|--|---|---|--------|---|---|
| Series | Valve | Inlet | Valve | Regulator | Inlet | Outlet | Gauge | Options | Header | Header | Gas |
| | Assembly | Connection | Body | Seat* | Pressure | Pressure | | | Qty. | Connection | Options |
| • P32 | 1: Inlet / outlet / vent 2: Inlet / vent. 3: Inlet / outlet 4: Inlet only | 3: 1/2" FSR (Straight) | S: Stainless steel B: Chrome-plated brass | P: PU T: PTFE K: PCTFE | D: 3000 psi X: 2200 psi F: 500 psi | L: 25 psi K: 50 psi H: 100 psi G: 250 psi | P: psi / bar K: psi / kPa W: No Gauge | Blank: Standard C: Electronic Contact Gauge V: Waste gas disposal | 2 | Blank: Without Valve N: With Needle Valve D: With Diaphragm Valve | Blank: None AIR: Air HE: Helium O2: Oxygen H2: Hydrogen CH4: Methane CO2: Carbon Dioxide Ar: Argon N2: Nitrogen |

ACCESSORIES

REGULATOR PROTOCOL STATION & PANEL MOUNT

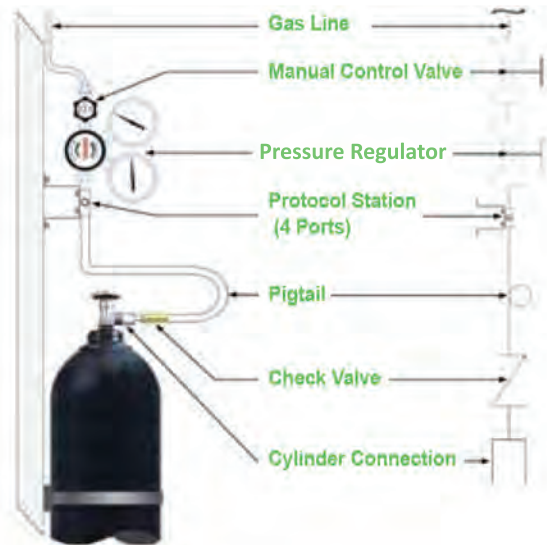
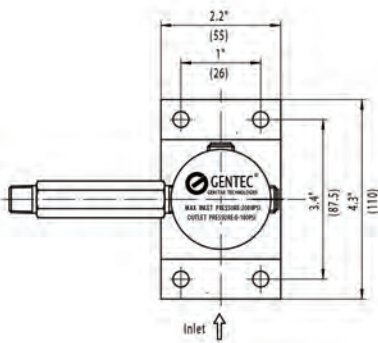
REGULATOR PROTOCOL STATION



- Designed to provide easy, safe, and fast cylinder exchanges by eliminating the direct connection between the gas regulator and cylinder
- Bracket Mount fits both Single and Dual-Stage Regulators
- Station Blocks are available in Chrome-Plated Brass and 316L Stainless Steel
- Pigtails are equipped with Anti-Whip/Anti-Kink Stainless Steel arm or casing

Note: Gas Regulators not included with Protocol Station*.

PANEL MOUNT



ORDERING INFORMATION

| Series | Bracket Style | Inlet Pressure Range | Inlet Connections (on pigtail) | Outlet Connection (to regulator) | Check Valve | Pigtails (36") |
|--------------------------|---------------|----------------------|---|----------------------------------|---|----------------------|
| PSSL: 316L PSB: Brass | W: Wall-Mount | D: 3000 psi | 01: 1/4"NPT(M) 22: CGA320 23: CGA330 24: CGA350 Other Connections are available | 01: 1/4"NPT(M) | CV: With Check Valve Leave blank for no check valves | S: 316L T: Teflon |

PURGE TOOLS

- Purge assembly is highly recommended when a toxic, corrosive, flammable or ultra high purity gas is used in a system.
- Purge assembly enables users to purge systems of contamination.



SL-P101



SL-P102



SL-P103

- Straight purge connection
 - For connection to regulator's high pressure inlet
 - For regulators and downstream devices
 - Purge gases delivered from regulator's downstream
 - Suitable for circular purging
- "T"-design purge connection
 - For connection between regulator and cylinder
 - Purge of whole gas system
 - Purge gases delivered from regulator's downstream
 - Suitable for circular purging
- Cross design purge connection
 - For connection between regulator and cylinder
 - Purge of whole gas system, diaphragm valve controls purging for cylinder valve
 - Purge gases relieved from purged port of regulator's downstream

| Series | Inlet Connections | Outlet Connections |
|---------|---------------------------------|--------------------|
| SL-P101 | 00: 1/4" NPT(F) | 00: 1/4" NPT(F) |
| SL-P102 | 01: 1/4" NPT(M) | 01: 1/4" NPT(M) |
| SL-P103 | C330: CGA330 | |
| | C350: CGA350 | |
| | C580: CGA580 | |
| | C660: CGA660 | |
| | C590: CGA590 | |
| | Other connections are available | |

ACCESSORIES

GAUGES & ELECTRONIC CONTACT GAUGES

GAUGES



G20SL
Low Mount (LM)



GR20SL
Back Mount (BM)

| Series | Wetted | Casing | Connection |
|-------------|--------|---------------------|------------|
| G20P (LM) | Brass | Nickel-Plated Brass | 1/4" NPT |
| G20SL (LM) | 316L | 316L | 1/4" NPT |
| GR20SL (BM) | 316L | 316L | 1/4" NPT |

| 2", Dual Scale, Lower Mount | | | | |
|-----------------------------|-----------------|-----------------------|---------------------|-------|
| Model Number | | Maximum Scale | | Entry |
| Chrome Plated Brass | Stainless Steel | psi/kPa | psi/bar | |
| G20P-V30 | G20SL-V30 | -30in.Hg ~ 30 / 200 | -30in.Hg ~ 30 / 2 | LM |
| G20P-V60 | G20SL-V60 | -30in.Hg ~ 60 / 400 | -30in.Hg ~ 60 / 4 | LM |
| G20P-V100 | G20SL-V100 | -30in.Hg ~ 100 / 700 | -30in.Hg ~ 100 / 7 | LM |
| G20P-V150 | G20SL-V150 | -30in.Hg ~ 100 / 1000 | -30in.Hg ~ 100 / 10 | LM |
| G20P-V200 | G20SL-V200 | -30in.Hg ~ 200 / 1400 | -30in.Hg ~ 200 / 14 | LM |
| G20P-V300 | G20SL-V300 | -30in.Hg ~ 300 / 2000 | -30in.Hg ~ 300 / 20 | LM |
| G20P-30 | G20SL-30 | 30 / 200 | 30 / 2 | LM |
| G20P-60 | G20SL-60 | 60 / 400 | 60 / 4 | LM |
| G20P-100 | G20SL-100 | 100 / 700 | 100 / 7 | LM |
| G20P-160 | G20SL-160 | 160 / 1100 | 160 / 11 | LM |
| G20P-200 | G20SL-200 | 200 / 1400 | 200 / 14 | LM |
| G20P-300 | G20SL-300 | 300 / 2000 | 300 / 20 | LM |
| G20P-600 | G20SL-600 | 600 / 4000 | 600 / 40 | LM |
| G20P-1000 | G20SL-1000 | 1000 / 7000 | 1000 / 70 | LM |
| G20P-1500 | G20SL-1500 | 1500 / 10000 | 1500 / 100 | LM |
| G20P-2000 | G20SL-2000 | 2000 / 14000 | 2000 / 140 | LM |
| G20P-3000 | G20SL-3000 | 3000 / 20000 | 3000 / 200 | LM |
| G20P-4000 | G20SL-4000 | 4000 / 28000 | 4000 / 280 | LM |
| G20P-6000 | G20SL-6000 | 6000 / 40000 | 6000 / 400 | LM |

| 2", Dual Scale, Back Mount | | | |
|----------------------------|-----------------------|---------------------|-------|
| Model Number | Maximum Scale | | Entry |
| Stainless Steel | psi/kPa | psi/bar | |
| GR20SL-V30 | -30in.Hg ~ 30 / 200 | -30in.Hg ~ 30 / 2 | BM |
| GR20SL-V60 | -30in.Hg ~ 60 / 400 | -30in.Hg ~ 60 / 4 | BM |
| GR20SL-V100 | -30in.Hg ~ 100 / 700 | -30in.Hg ~ 100 / 7 | BM |
| GR20SL-V150 | -30in.Hg ~ 100 / 1000 | -30in.Hg ~ 100 / 10 | BM |
| GR20SL-V200 | -30in.Hg ~ 200 / 1400 | -30in.Hg ~ 200 / 14 | BM |
| GR20SL-V300 | -30in.Hg ~ 300 / 2000 | -30in.Hg ~ 300 / 20 | BM |
| GR20SL-30 | 30 / 200 | 30 / 2 | BM |
| GR20SL-60 | 60 / 400 | 60 / 4 | BM |
| GR20SL-100 | 100 / 700 | 100 / 7 | BM |
| GR20SL-160 | 160 / 1100 | 160 / 11 | BM |
| GR20SL-200 | 200 / 1400 | 200 / 14 | BM |
| GR20SL-300 | 300 / 2000 | 300 / 20 | BM |
| GR20SL-600 | 600 / 4000 | 600 / 40 | BM |
| GR20SL-1000 | 1000 / 7000 | 1000 / 70 | BM |
| GR20SL-1500 | 1500 / 10000 | 1500 / 100 | BM |
| GR20SL-2000 | 2000 / 14000 | 2000 / 140 | BM |
| GR20SL-3000 | 3000 / 20000 | 3000 / 200 | BM |
| GR20SL-4000 | 4000 / 28000 | 4000 / 280 | BM |
| GR20SL-6000 | 6000 / 40000 | 6000 / 400 | BM |

ELECTRONIC CONTACT GAUGES



GA20SL
Lower Mount (LM)



GRA20SL
Back Mount (BM)



GE20SL
Lower Mount (LM)



GRE20SL
Back Mount (BM)

- Contact: normally close (no pressure)
- Adjustable between 5 and 80% of the scale range
- Maximum power: 10 watts DC, 12 VA AC
- Maximum switch voltage: 28 V AC/DC
- Wetted area and casing: 316L
- Temperature: -40 to 158°F (-40 to 70°C)
- Connection: 1/4" NPT
- Accuracy: 3-2-3 (2%)
- Potential-free relay

| 2", Stainless Steel Contact Gauge, PSI/kPa Dual Scale | | | | | |
|---|--------------|-------------|--------------|---------------|------------|
| Model Number | | | | Maximum Scale | |
| Twist Cap | | Fixed Cap | | | |
| Lower Mount | Back Mount | Lower Mount | Back Mount | psi/kPa | psi/bar |
| GA20SL-100 | GRA20SL-100 | GE20SL-100 | GRE20SL-100 | 100 / 700 | 100 / 7 |
| GA20SL-200 | GRA20SL-200 | GE20SL-200 | GRE20SL-200 | 200 / 1400 | 200 / 14 |
| GA20SL-300 | GRA20SL-300 | GE20SL-300 | GRE20SL-300 | 300 / 2000 | 300 / 20 |
| GA20SL-400 | GRA20SL-400 | GE20SL-400 | GRE20SL-400 | 400 / 2800 | 400 / 28 |
| GA20SL-600 | GRA20SL-600 | GE20SL-600 | GRE20SL-600 | 600 / 4000 | 600 / 40 |
| GA20SL-1500 | GRA20SL-1500 | GE20SL-1500 | GRE20SL-1500 | 1500 / 10000 | 1500 / 100 |
| GA20SL-3000 | GRA20SL-3000 | GE20SL-3000 | GRE20SL-3000 | 3000 / 20000 | 3000 / 200 |
| GA20SL-4000 | GRA20SL-4000 | GE20SL-4000 | GRE20SL-4000 | 4000 / 28000 | 4000 / 280 |

Note: Please consult factory on VCR/FSR gauges or psi/bar and psi/kPa dual scale ranges not listed.

NEEDLE VALVES

- Designed for use with regulator
- Easy control of outlet flow



207CP



SS-NV12-NT4-TF4

| Series | Material | Max Working Pressure | Inlet / Outlet Connection |
|-----------------|---------------------|----------------------|---------------------------|
| 207CP | Nickel-Plated Brass | 500 psi | 1/4" NPT(M) x 1/4" NPT(M) |
| SS-NV12-NT4 | 316 | 5000 psi | 1/4" NPT(M) x 1/4" NPT(M) |
| SS-NV12-NT4-TF4 | 316 | 5000 psi | 1/4" NPT(M) x 1/4" GENLOK |

RELIEF VALVES

- Designed for use with regulator
- Relief pressure adjustable



SS-RV11-100

| Series | Material | Pressure Range | Inlet / Outlet Connection |
|--------|------------------------|------------------|---------------------------|
| RV11 | SS: 316 | 20: 10-20 psi | 1/4" NPT(M) x 1/4" NPT(F) |
| | B: Nickel-Plated Brass | 100: 20-100 psi | 1/4" NPT(M) x 1/4" NPT(F) |
| | | 250: 100-250 psi | 1/4" NPT(M) x 1/4" NPT(F) |
| | | 500: 250-500 psi | 1/4" NPT(M) x 1/4" NPT(F) |
| | | 750: 500-750 psi | 1/4" NPT(M) x 1/4" NPT(F) |

DIAPHRAGM VALVES

- Designed for regulator outlet port



SL-DV51-NT4-FNT4

| Series | Cv | Max Working Pressure | Inlet / Outlet Connection |
|------------------|------|----------------------|---------------------------|
| SL-DV51-NT4-FNT4 | 0.17 | 300 psi | 1/4" NPT(F) x 1/4" NPT(M) |
| BP-DV51-NT4-FNT4 | 0.17 | 3500 psi | 1/4" NPT(F) x 1/4" NPT(M) |

ACCESSORIES

CHECK VALVES, FILTERS & GENERAL PURPOSE FLASHBACK ARRESTORS

CHECK VALVES



| Model | Inlet Connection | Outlet Connection |
|----------------------|------------------|-------------------|
| SS-CV11-TF2-VI-1 | 1/8" GENLOK | 1/8" GENLOK |
| SS-CV11-NT2-VI-1 | 1/8" NPT(M) | 1/8" NPT(M) |
| SS-CV11-FNT2-VI-1 | 1/8" NPT(F) | 1/8" NPT(F) |
| SS-CV11-TF4-VI-1 | 1/4" GENLOK | 1/4" GENLOK |
| SS-CV11-NT4-TF4-VI-1 | 1/4" NPT(M) | 1/4" GENLOK |
| SS-CV11-NT4-VI-1 | 1/4" NPT(M) | 1/4" NPT(M) |
| SS-CV12-FNT4-VI-1 | 1/4" NPT(F) | 1/4" NPT(F) |

Material: 316L | Pressure Rating: 3000 psi | Cracking Pressure: 1 psi | Viton® O-rings standard

FILTERS



INLINE FILTER



T-TYPE FILTER

| Type | Model | Inlet Connection | Outlet Connection |
|-------------|-------------|------------------|-------------------|
| Inline Type | SS-F4-FNT2 | 1/8" NPT(F) | 1/8" NPT(F) |
| | SS-F4-TF4 | 1/4" GENLOK | 1/4" GENLOK |
| | SS-F4-NT4 | 1/4" NPT(M) | 1/4" NPT(M) |
| T-Type | SS-F4T-FNT2 | 1/8" NPT(F) | 1/8" NPT(F) |
| | SS-F4T-TF4 | 1/4" GENLOK | 1/4" GENLOK |
| | SS-F4T-NT4 | 1/4" NPT(M) | 1/4" NPT(M) |

Material: 316 | Max. Working Pressure: 3000 psi for inline type, 6000 psi for T-type | Washer: 316L | Nominal Pore Size: 0.5-2 microns

FLASHBACK ARRESTORS



FA33SP



FA34P

- Designed for use with low pressure manifold piping
- Preventing flashbacks from low to high pressure piping

| Model No. | Material | Gas Service | Working Pressure | Delivery Flow | Inlet Connection | Outlet Connection |
|-----------|-----------------|-------------------|------------------|---------------|------------------|-------------------|
| FA33SP | Stainless Steel | Flammable, Oxygen | 50 psi | 1250 SCFH | 1/4"NPT(F) | 1/4"NPT(M) |
| FA34P | Brass | Flammable | 50 psi | 1050 SCFH | 1/4"NPT(F) | 1/4"NPT(F) |

VACUUM GENERATOR



- 316L stainless steel construction
- Cleaned, welded assembled, tested and packaged in Class 10 clean room
- Internal surface finish 0.4 um
- 660 mmHg (100 Torr) vacuum generated with a minimum source nitrogen pressure of 75 psi
- Helium leak tested
- Used in gas delivery systems to assist in purging piping systems

| EX: SL - Material | VG22 - Serial No. | VM4 - N2 Inlet | VM8 - Vent Connection | VSM4 Vacuum Connections | Connections |
|-------------------|-------------------|----------------|-----------------------|-------------------------|--|
| SL: 316L | VG22 | VM4 | VM8 | VM4 VSM4 VSF4 | VM4: 1/4" face seal male VM8: 1/2" face seal male VSM4: 1/4" face seal swivel male VSF4: 1/4" face seal swivel female |

TUBE FITTINGS



SS-MC-TF4-NT4



SS-UE-TF4



SS-FC-TF4-FNT4



R952-5503

| Series | Material | Inlet/Outlet Connection |
|-----------------|---------------------|---------------------------------------|
| R195-51P | Nickel-Plated Brass | 1/4" NPT(M) x 1/4" NPT(M), Connection |
| R952-5503 | 316 Stainless Steel | 1/4" NPT(M) x 1/4" NPT(M), Connection |
| SS-MC-TF4-NT4 | 316 Stainless Steel | 1/4" NPT(M) x 1/4" Genlok, Connection |
| SS-MC-TF6-NT4 | 316 Stainless Steel | 3/8" NPT(M) x 1/4" Genlok, Connection |
| SS-MC-TF8-NT4 | 316 Stainless Steel | 1/2" NPT(M) x 1/4" Genlok, Connection |
| SS-MC-TF8-NT8 | 316 Stainless Steel | 1/2" NPT(M) x 1/2" Genlok, Connection |
| SS-MC-TF12-NT12 | 316 Stainless Steel | 1/2" NPT(M) x 3/4" Genlok, Connection |
| SS-FC-TF2-FNT4 | 316 Stainless Steel | 1/4" NPT(F) x 1/8" Genlok, Connection |
| SS-FC-TF4-FNT4 | 316 Stainless Steel | 1/4" NPT(F) x 1/4" Genlok, Connection |
| SS-FC-TF6-FNT4 | 316 Stainless Steel | 1/4" NPT(F) x 3/8" Genlok, Connection |
| SS-FC-TF8-FNT4 | 316 Stainless Steel | 1/4" NPT(F) x 1/2" Genlok, Connection |
| R155-64JP | Nickel-Plated Brass | 1/2" NPT(M) x 3/8" NPT(F), Straight |
| R155-64KP | Nickel-Plated Brass | 1/2" NPT(M) x 3/8" NPT(M), Straight |
| R155-64EP | Nickel-Plated Brass | 1/2" NPT(M) x 1/2" NPT(M), Straight |
| R982-5502 | 316 Stainless Steel | 1/2" NPT(M) x 3/8" NPT(F), Straight |
| R982-5507 | 316 Stainless Steel | 1/2" NPT(M) x 3/8" NPT(M), Straight |
| R982-5506 | 316 Stainless Steel | 1/2" NPT(M) x 1/2" NPT(M), Straight |
| SS-UE-TF4 | 316 Stainless Steel | 1/4" Genlok x 1/4" Genlok, Elbow |
| SS-UE-TF8 | 316 Stainless Steel | 1/2" Genlok x 1/2" Genlok, Elbow |

WALL-MOUNT BRACKETS



GMB-R6



GMB-R1

| Model Number | Inlet / Outlet Connection |
|--------------|---|
| GMB-R1 | R21, R22 Bracket |
| GMB-R2 | R31 Bracket |
| GMB-R6 | R11, R12, R14, R15, R21, R22, R44 Bracket |

PIGTAILS

- Designed for use between cylinder and piping system
- Max. Pressure: GFPT and GFPS Series: 3000 psi (206 bar)
GRPS Series: 4500 psi (310 bar)
- Temp. Range: GFPS and GRPS Series: -325 to 850°F (-200 to 454°F)
GFPT: -65 to 450°F (-53 to 230°C)
- Oxygen Service: Meets CGA G4.1 Specifications for cleanliness



GRPS

| GRPS - Series | C330 - Inlet Connections | CV - Options | 00 - Outlet Connections |
|---|---|--|---|
| GRPS: Stainless Steel Rigid Pigtail | 00: 1/4" NPT(F) C330: CGA330 C350: CGA350 C510: CGA510 C540: CGA540 C580: CGA580 C660: CGA660 | Blank: None CV: with Check Valve FA: with Flashback Arrestor | 00: 1/4" NPT(F) VF: 1/4" Female FSR OD: 1/4" Tube |



GFPT / GFPS

| GFPT Series | 24 - Length | C330 - Inlet Connections | CV - Options | 00 Outlet Connections |
|--|--------------------|---|--|-----------------------|
| GFPT: Stainless Steel Flexible Pigtail with Teflon Insert | 24: 24" 36: 36" | 00: 1/4" NPT(F) C330: CGA330 C350: CGA350 C510: CGA510 C540: CGA540 C580: CGA580 C660: CGA660 | Blank: None CV: with Check Valve FA: with Flashback Arrestor | 00: 1/4" NPT(F) |
| GFPS: Stainless Steel Flexible Pigtail with Stainless Steel Insert | | | | |